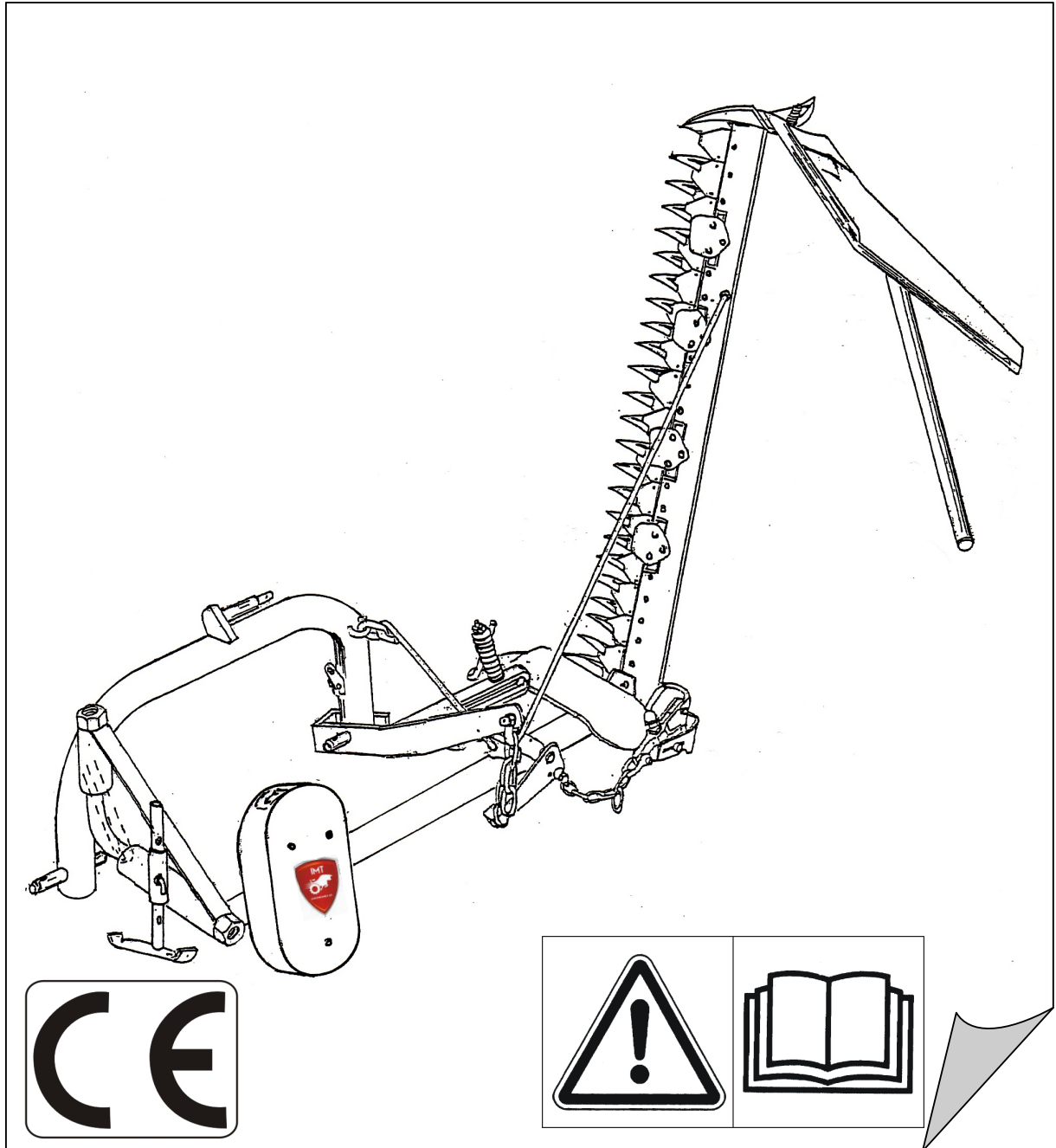




REAR TRACTOR MOWER

FPM 627 027
FPM 627 079
FPM 627 089



INSTALLATION/HANDLING/MAINTENANCE

№ 43741

LIST OF SPARE PARTS

01.2011

• e-mail: razvoj @ fpm-agromehanika.rs
info @ fpm-agromehanika.rs
fpmbolj@ eunet.yu

SERBIA

• Internet: www.fpm-agromehanika.rs

WARNING FOR YOU, USER

By purchasing this machine, you made a wise choice. It is the result of many years of contemplation, research and development. You, like thousands of other users, will realize that you own the best that the technique, knowledge and testing in the field has created. You bought a reliable machine, but only if you use it properly, you can expect a good performance and a long service life.

This manual gives you all the information you need to achieve the best possible efficiency with your machine. This effect largely depends on how well you read and understand this manual and apply this knowledge. It's a simple machine, but often you can overcome the defects that are obvious and prove to be bad work, which is often due to neglecting the natural wear of parts or the fact that the machine is not well tuned. Therefore, do not pretend to know how the machine is used and maintained before you read this manual, which you need to keep at hand.

Our service dealers and sales service centers with their trained staff can offer you all the original parts of tractor mowers for servicing. These parts are manufactured and carefully inspected in the same factory where the mower is made, in order to ensure high quality and precise assembly at each replacement.

REAR TRACTOR MOWER IS PRODUCED BY: FPM AGROMEHANIKA DOO BOLJEVAC

The rear tractor mower meets the criteria prescribed by the Rules on the Safety of Machines ("Official Gazette of the Republic of Serbia", No. 13/2010), especially regarding the stability and protection of parts and assemblies that could endanger the safety of the operator by their function and shape.

TRAINING: FPM Agromehanika DOO constantly strives to improve its products and therefore reserves the right to make changes or improvements when needed, without any obligation to modify or supplement previously manufactured or sold equipment.

The information in this manual is correct at the date of issue.

All rights to the press and images retained by:
FPM AGROMEHANIKA DOO BOLJEVAC

**THE CERTIFICATE ON OCCUPATIONAL SAFETY MEASURES IS A CONSTITUENT OF
THE INSTRUCTIONS FOR HANDLING AND MAINTENANCE**



Issued by: FPM Agromehanika DOO Boljevac
Print: DEVELOPMENT SERVICE IMT AGROMEHANIKA AD BOLJEVAC
Year: 01.2011

INSTRUCTIONS

**FOR INSTALLATION AND
MAINTENANCE OF THE**

REAR TRACTOR MOWER

FPM 627 027

FPM 627 079

FPM 627 089

**The mower is aggregated on I and II category tractors
with three-point suspension system according to ISO
730 / I and output speed $n = 540 \text{ min}^{-1}$**



CONTENT

№ 43741

PAGE	TABULAR OVERVIEW
	GROUP OF PARTS
5	Safety warning
6	Limited warranty
7	Introduction
7	Caution
8	Safety
8	Description of rear tractor mower
9 - 10	Aggregating the mower to a tractor
11 - 12	Adjusting the mower for work
12 - 13	Working with the mower
13	Maintenance of the mower
14 - 15	Adjusting the gap on the cutting machine
15	Sharpening and replacing the blades on the movable cutting strip
16	Technical characteristics
16	Storage of the rear tractor mower
17	Jointed coupling - cardan shaft
18	Lubrication
19	Certificate - Occupational safety measures were applied
20 - 26	List of spare parts

WARNING FOR YOU, USER

It is very important that the cardan shaft you attach to your rear tractor mower is of the prescribed dimensions. Therefore, it is necessary to obtain a cardan shaft of the following characteristics:

- wrinkle 35 JUS M.L1.601 on both ends of the universal shaft
- continuous torque $M_r = 160 \text{ Nm}$
- max. angle of rotation of the joint at work $\alpha = 30^\circ$
- For $\alpha > 30^\circ$, turn the cardan shaft off
- after every 8 hours of operation, apply lubrication

The cardan shaft is the product of the company "FKL" Temerin, and can be purchased under the number:

05B - 790 - 10.10 - 10.10



IMPORTANT: If you do not comply with the warning, the factory will not be liable for damages or fractures on the tractor, cardan shaft or rear tractor mower.

READ CAREFULLY!

In this manual and on the machine you will find warning labels, "WARNING" "CAUTION" and "DANGER". Warnings aim to draw attention to the personal caution and caution of those who work with you because they also need to read it.

PERSONAL SAFETY

WARNING: The word "WARNING" is used where you need to be careful to protect the operator and other persons from an accident.

CAUTION: The word "CAUTION" indicates the possibility of serious injury to the operator and personnel that may occur suddenly. It is a commonly used word as a warning to the operator and other people to prevent surprises in using the mower.

DANGER: The word "DANGER" denotes what can not be done because it entails a risk.

THERE ARE ADDITIONAL WARNINGS SUCH AS "RECOMMENDED" AND "IMPORTANT", DENOTING SPECIAL INSTRUCTIONS WITH REGARD TO THE SAFETY OF THE REAR TRACTOR MOWER.

SAFETY OF THE REAR TRACTOR MOWER

NOTE: THIS WARNING DENOTES THE POSSIBILITY OF DAMAGE TO MOWER, IF YOU DO NOT COMPLY WITH THE INSTRUCTIONS.

IMPORTANT: THE READER IS INFORMED ON WHAT THEY SHOULD KNOW TO PREVENT MALFUNCION OF THE MOWER, IN CASE THEY MISS IT.

WARNING!

IF YOU DO NOT COMPLY WITH THE "WARNING", "CAUTION" AND "DANGER", SERIOUS INJURIES MIGHT OCCUR.

LIMITED WARRANTY

The factory provides a warranty in accordance with the Law on Standardization, the Rulebook on the Safety of Machines ("Official Gazette of the Republic of Serbia", No. 13/2010) for each original piece of a new mower delivered to the user by the sales network FPM Agromehanika AD Boljevac, which guarantees at the time of delivery, that every part of the mower is new, free of material defects, and that the rear tractor mower is given a warranty for a period of one year from the date of delivery to the user, provided that the machine is used and serviced in accordance with the recommendations in this INSTRUCTION MANUAL for maintenance and handling.

EXCEPTIONS:

1. Parts made of wood are not covered by the warranty.
2. Parts not manufactured by FPM Agromehanika AD Boljevac (tires, plastics, belts, cardan shafts, cardan shields, hydraulic cylinders with connection hoses, etc.) are not covered by this warranty, but by the manufacturer's warranty
3. Parts that are normally consumed in exploitation, such as: wedge belts, discs, cutting blades, tires, scrapers, cutter blades, sliders underneath the cutting machine, protective guard.
4. This warranty is not valid in case of poor use, improper or negligent use or damage due to an accident. The warranty ceases to be valid due to the use of non-original parts, and the factory is not responsible for the damage resulting from the transport.

THE FACTORY IS NOT RESPONSIBLE FOR LOSS OF THE PROFIT DUE TO MALFUNCTION OF THE MOWER OR THE FAILURE OF THIRD PARTIES, NOR FOR ADDITIONAL COSTS OF WORK ON REMOVAL AND REPLACEMENT OF PARTS.

The buyer is responsible and bear the costs of the following:

1. Normal maintenance, such as lubrication, oil retention, minor adjustments, and the like.
2. Transport of the mower where the service is performed in the warranty period and return.
3. Time of travel of the authorized service to the owner of the mower and return, or delivery and return of the mower from the workshop after the repair.

This warranty does not apply to the rear tractor mower which has been modified without our explicit permission, or if it was performed by someone else, outside the authorized service.

The warranty is related to strict adherence to the warning:

- all the instructions in this manual must be respected and all shields are regularly reviewed and replaced,
as needed.

No warranty is given for products that are not new.

The people who just work in our factory are not officially representatives of the factory and do not have the right to assume any obligation on its behalf.

No warranty covers product equipment that is larger than that given, so the factory is not responsible for any injuries caused by such use.

INTRODUCTION

The rear tractor mower FPM 627 089 belongs to the group of modern tools from our production program and is intended for cutting all kinds of fodder plants. According to its construction, it is located in the group of worn rear mowers and it has the possibility of aggregating to all tractors of I and II category that have a three-point attachment system and a six-gang type output shaft, 34.9 mm in

diameter. According to its constructive and exploitative characteristics, the rear tractor mower is a very high quality and reliable product with the following characteristics:

- Simple and strong construction,
- Great work performance,
- Easy and quick aggregation and unloading from the tractor,
- Fast switch from transport to working position,
- Minimum maintenance,
- Existence of a safety system for disconnecting the cutting device at a hook on an obstacle,
- Low energy consumption,
- Easy handling and adjustment.

The mower is delivered in the form of sub-assemblies that are very easily interconnected. In addition to the mower, a cardan shaft is also delivered, the length of which is adjusted depending on the type of tractor and according to the instructions on the protective coating.

Good knowledge and practical application of the instructions for working with the rear tractor mower allows you to be reliable in operation, and its lifetime is long. Please note that during the term of the warranty period you should not disassemble certain parts of the mower, because in this case, the warranty is lost. Also, the factory does not take any responsibility if on some parts of the rear tractor mower during the warranty period are damaged due to improper handling and maintenance.

Servicing measures, other than lubrication and easy maintenance, which can be easily carried out, should be left to our service representatives or service centers that have trained staff.

To maintain and repair the rear tractor mower, use the original parts that can be obtained from authorized service agents or directly at the factory.

CAUTION

The operating instructions correspond to the basic model of the rear tractor mower FPM 627 089. Since your mower can fit a part that functionally fits the explanation while the shape is slightly different, please do not pay attention to such things.

The identification of the rear tractor mower is done via the nameplate. The table contains the following information:

– In the field with the letter "Z" - the number of certificates of occupational safety is entered.

– In the "MASA / WEIGHT" field - the weight of the product is entered.

– In the "GODINA / YEAR" field - the year of production (last two digits).

– In the "SERIJA / TYPE" field - the series label and the commercial mark of the product.

– In the field "No." the number of tractor mowers composed of nine digits is entered and has the following meaning.

- first digit - year of production

- second and third digit - code of the manufacturer

- the other six digits - serial number

of the product from the start of production.



SAFETY INSTRUCTIONS



Before proceeding with any work with the rear tractor mower, carefully read the INSTRUCTIONS and remember the following:

- The user of the rear tractor mower is responsible for the safety of people and animals that are found in the area of use, so make sure that the other person is not nearby when working. One should always think of the consequences of irresponsible work because they are irreparable.
- On sloping terrains, make sure that there is no slipping and overturning with a mower, rain or moisture accelerates the sliding of the tractor, as well as the accumulation of mud on double fingers on the cutting so avoid working in a humid terrain.
- All cleaning and maintenance work on the rear tractor must only be carried out when the tractor is stopped and the drive shaft is deactivated.
- Check the lubrication as well as other sliding surfaces.
- Check the degree of damage to the cutting edges of the blade and, if necessary, sharpen the blades in order to maintain proper cutting.
- Where there is a likelihood of a hidden obstacle working with more attention and slower speed.
- In order to avoid the drift of the rear tractor mower, both in work and in transport, it is mandatory to use tractor stabilizers, or chains that are accompanying tractor equipment.
- When working on the drive mechanism of the mower, a protective sheet metal must be used.
- In order to ensure safe operation with the mower, follow the instructions given in this manual.

DESCRIPTION OF THE REAR TRACTOR MOWER

The rear tractor mower consists of:

- Bearing constructions with transmission,
- Cutter.

The supporting structure consists of:

- Connecting part,
- Cutter carrier.

The supporting structure is constructively resolved so that, in addition to its basic purpose - the function of attachment to the tractor and carrying the transmission with the cutting machine, it also has the task to enable the cutting apparatus to better copy the terrain with the help of the system of swivel joints and levers.

Also within the supporting structure there is a safety system which, in the event of an impact of the cutting device in a hidden obstacle, makes it unroll and turn, thereby protecting it from damage.

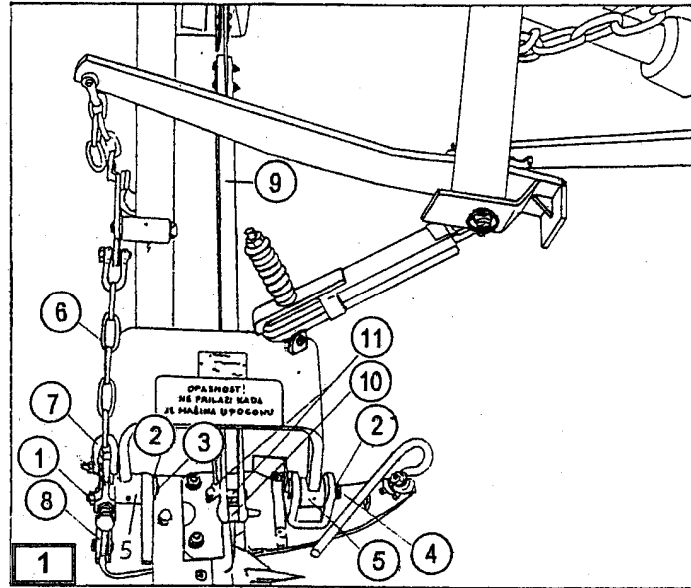
The system for transferring movement from the output shaft of the tractor to the movable cutting bar consists of: a cardan shaft, a gearbox with wedge belts and a flywheel with an eccentrically mounted sleeve and crank levers.

The cardan shaft is connected at one end with the drive shaft of the belt drive and the other is connected to the output shaft of the tractor. The transmission gear consists of a drive and driven pulley connected with two v-belts. The crochet lever at one end is connected to the flywheel and the other end is connected to the movable cutting lath.

AGGREGATING THE MOWER TO A TRACTOR

Before starting the mower attachment to the tractor, it is necessary to connect the independently delivered assemblies.

- With the cutting machine, release the shaft and the wooden grass guide



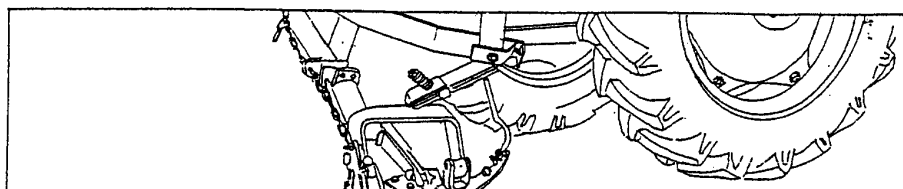
- Unscrew the M12x30 screw on the rear of the cutter blade (Fig. 1, Item 1) and then remove the slider located below the bend.
- Remove the splinters (fig. 1, item 2) provided by the shafts (figure 1, items 3 and 4) for the connection of the cutting device and the supporting structure, and then remove the shafts from the eyelets.
- Lubricate the fuselage and holes on the eyelets with multi-purpose lubricant.
- Insert the blades of the cutting device (fig. 1, item 5) into the eyelets on the couch, and then insert the shafts (fig. 1, items 3 and 4) into the holes on the eyelets and resistors (Figure 1, Item 2) lift the cutting machine, place the slider on the hub and then secure it with the previously removed M12x30 screw.
- Connect the chainsaw for holding the cutting apparatus (fig. 1, item 6) using a tweezer (fig. 1, item 7) with a tension on the cutting machine (fig. 1, item 8).
- Connect the crank lever (fig. 1, item 9) to the ball of the movable battens (fig. 1, item 10). Fasten the joint with a screw, a roller nut and a fork (fig. 1, item 11).
- Insert multi-purpose lubricant before installing the joint in the lever with a cup.



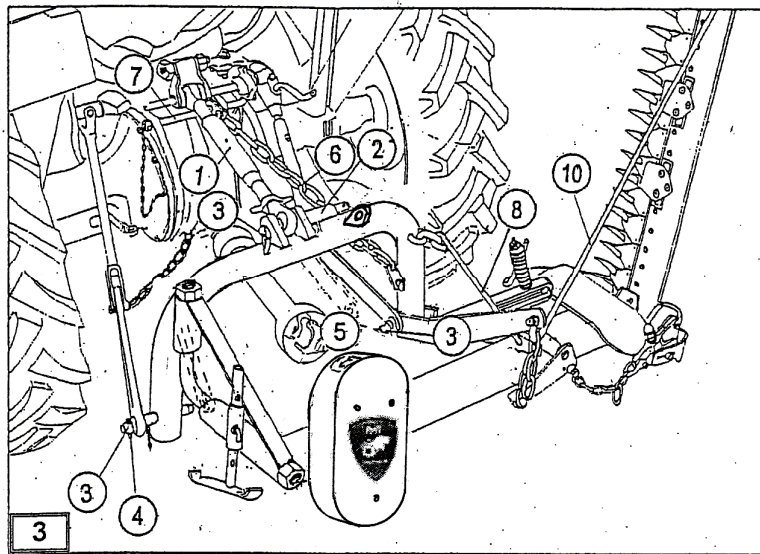
WARNING:

The joint must be properly attached, otherwise it will be bumped during operation and the ball and lever with a cup will be damaged.

- On the shaft (fig. 2, item 1), fix the wooden guide of the grass (fig. 2, item 2).
- Connect the spool (fig. 2, item 1) using the screw (fig. 2, items 3,4 and 5) to connect the springs and nuts with the beak (fig. 2, item 6) on the cutting machine.



- To facilitate the attachment to the tractor, remove the footrest and position it so that the bearing - the rack is lifted as far as the connecting points reach the height of the lowered tractor levers (Fig. 3, see broken lines).
- Move the tractor backwards and pull the connecting sleeves on the bearing of the mower (Fig. 3, items 4 and 5) into the joints on the tractor levers, and then extend the upper tractor lever - warning (fig. 3, item 1) to lock the shaft (Fig. 3, Item 2) and fuse (fig. 3, pos.3) on the mower's frame.



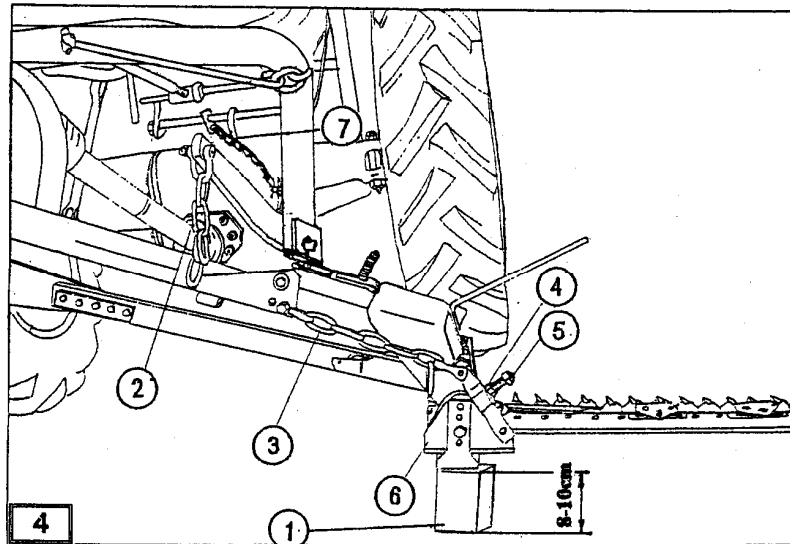
- Connect the cardan shaft to the output shaft of the tractor. Connection is carried out in such a way that the finger presses the fuse and the cardan shaft attachment is attached to the output shaft of the tractor, after which the fuse is released by lifting the finger and thus the attachment fork is secured from the draw.
- Ensure that the cardan shaft is secured by tying the chain to the upper tractor lever - warning.

ADJUSTING THE MOWER FOR WORK

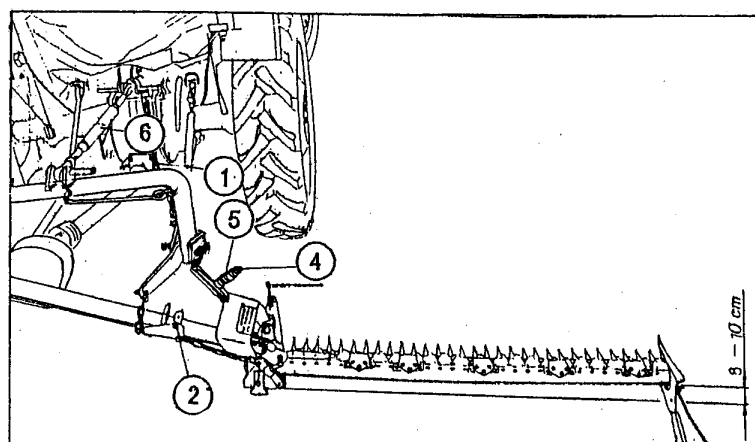
In order to ensure the correct operation of the mower, it is necessary to make the necessary adjustments before starting work. A flat surface should be selected for adjustment.

- Release the mower restraint for the transport position (Fig. 3, Item 8) and attach it to the eyelet located on the mower's frame.
- Unscrew the handle of the mower holder in the vertical and remove it (fig. 3, item 10).

- The whole mower is lowered by hydraulics until the bowl firmly rests on the ground, then the hydraulics chains (figure 3, item 6) are fastened to the required length - approximately tightened.
- Use the hydraulics to raise the mower so that the slider (fig. 4, item 6) is 8 to 10 cm from the ground and use the flat object of the approximate height (Fig. 4, Item 1).
- Use the hydraulics to lower the mower so that the slider rests on the padded object.



- Use the chain (fig. 4, item 2) and the tension chain (figure 4, item 3) to adjust the mower so that the beak of the mower (Figure 2, Item 6) touches the ground.
- For fine adjustment of the cutting machine, use a screw with a counter nut (fig. 4, item 5).
- Adjustment of the safety system for swinging in the event of an obstacle encounter, is carried out by tightening or unscrewing the nut (fig. 5, item 4) on the spindle carrying the spring (fig. 5, item 5) of the safety system.
- The pre-setting which is correctly performed allows the cutting machine to monitor the terrain correctly during operation.
- The cut off angle is selected depending on the state of the grass to mow.
- The cut on the ground fodder should be as normal as possible to the tree.
- Setting the angle of cut of the stem is done by means of warming (figure 5, item 6).
- Adjusting the cut height is done with sliders underneath the canopy (Figure 2, Item 7) and below the beak (Figure 2, Item 8). The sliders must be fixed with the existing screws on the mower and beak after adjustment.



- Cutting height - mowing is very important because it leaves traces not only for the next mowing but also for the other agrotechnic that is being carried out. Three types of cuts are applied: the lowest 3 - 4 cm for the mowing of meadows in mountainous areas, medium 5 - 6 cm for mowing mixtures for silage and the cultures that go in silage.
- Place the wooden lawnmower on the shovel (fig. 2, item 2) in the position that suits most.

BEFORE YOU START WORK, YOU NEED TO:

- Remove the protector on the cutting machine,
- Check the tightness of all bolts,
- Lubricate all oilers,
- Lubricate the joint that connects the crank lever and the movable cutting lath.

Lubrication is carried out with multi-purpose lubricant.

WORKING WITH THE MOWER

Before starting mowing, it is necessary to examine the parcel, and if there are some obstacles to remove them.

The speed of mowing moves in the range of 4 - 8 km / h, depending on the terrain and condition of the mow.

According to the state of the cultivated mowing, as well as the condition of the soil, the cutting height is adjusted.

During mowing, the conditions under which the mower will mow should be considered. If you notice the obstacles they should be removed and continue to mow. The mowing should be carried out with full working of the mower, in order for it to be fully economically justified.

For cutting grass, there is a movable cutting sling with smooth knives and for cutting dry grass and cereals with toothed knives.

If during operation, the cutting machine hits the hidden obstacle, the safety device will cut off the mower, and in order to continue mowing it is necessary to stop the tractor and turn off the output shaft, and then return the tractor slightly backwards and lift the mower hydraulically. By lifting the cutting machine, the safety system is returned to the working position.

If during normal operation, the system is unlocked, it is necessary to tighten the spring.

If the slipping wedge is stuck, the tractor should be stopped, then the mower must be turned off, the tractor moved backward, and then the tailgate must be identified as a cause of jamming. Check the tension of the straps before starting work again.

When finished, prepare the mower for transport.

- Through the double fingers on the cutting machine, set the protector,
- Place the cutting machine in a vertical position and secure it with the holder and the handle that has a nut on it.

- Depress the cutting device from the ground and secure with the handle for the transport position (fig. 3, item 8)
- Use the hydraulics to lift the mower in the upper position, and then make the chain shortening (figure 3, item 6) to the required transport length, thus releasing the tractor hydraulic system.

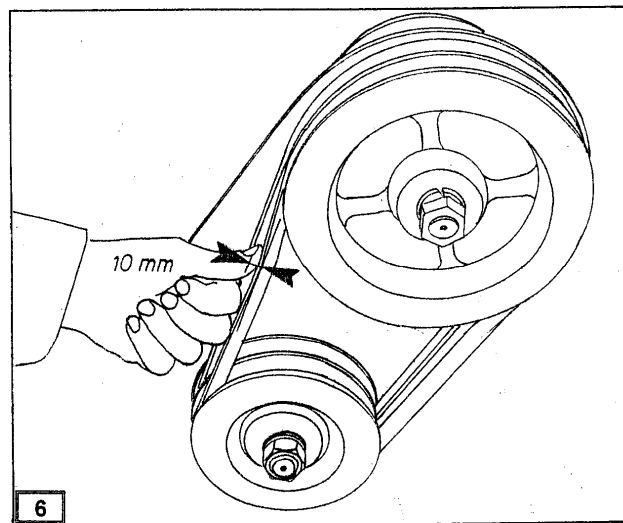
MAINTENANCE OF THE MOWER

The mower should be neatly lubricated and properly adjusted. Lubrication of the mower should be a constant practice, as this will prolong its lifetime. Before starting the work, it is necessary to lubricate all lubrication points, the nozzle, which connects the movable lath with the crank lever and other sliding joints.

For lubrication, use multi-purpose lubricant. A spherical ball sphere has a slit that serves to bring lubricant to the joint.

Checking the belt tension and tightening them is done as follows:

- Remove three M8x25 screws securing the belt guard and then remove the guard.
- Press the straps with your hand and check how far they are. The correct belt loosening is 10 mm (see Figure 6).



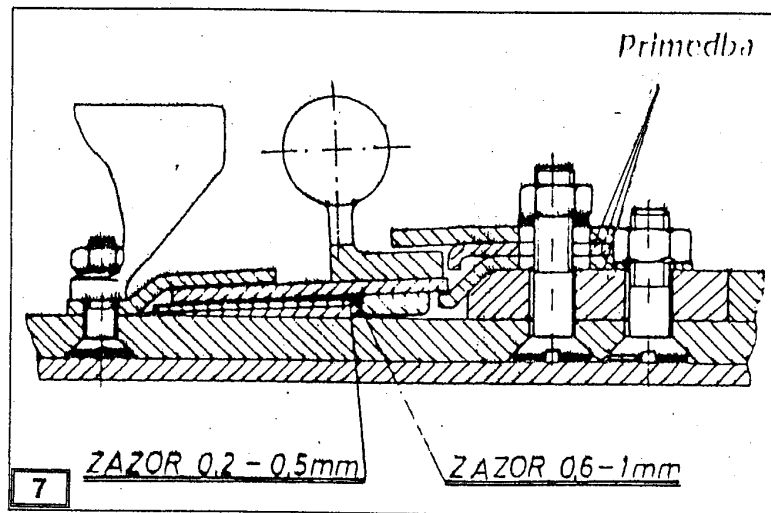
NOTE:

- When replacing worn-out belts, replace both straps regardless of the state of one against the other.
- After completion of the previous operations, install the belt guard.

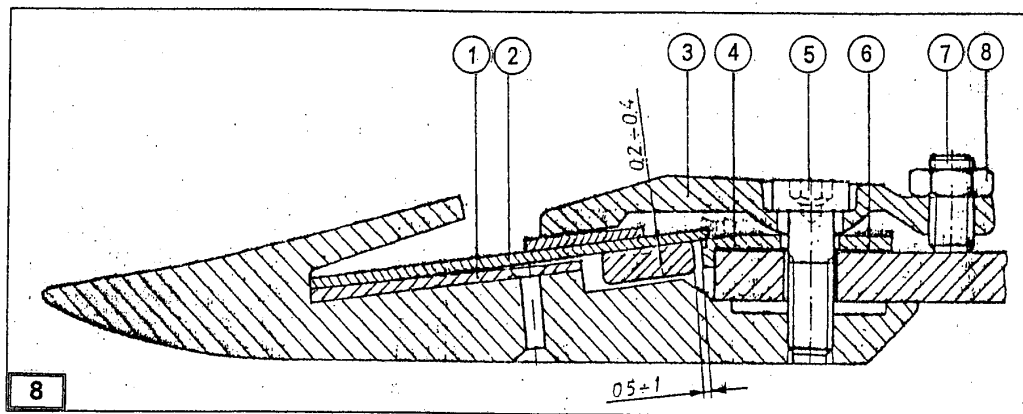
Adjusting the gap on the cutting machine

After a longer period of use, the quality of mowing decreases due to the wear of the cutting machine guide. Carefully clean the cutting machine and then slip the sliding joints, so that the cutting blade can be easily started. Adjusting the gap between the guides is performed as follows:

- Check for proper clearance between the movable knife and the fixed knife on the double finger (see fig. 7, items 1 and 2).
- If the clearance does not exist beneath the inner guides (figure 8, item 4), insert the adjusting pads (fig. 8, item 6). When inserting the pads it is necessary to unscrew the screw (fig. 8, item 5) and remove the outer and inner guide (Fig. 8, item 3 and 4) and then return the inner guide.



- When the pre-setting is completed, return the outer guide and screw in place. Do not tighten the screw to the end.
- Release the "counter" nut (Fig. 8, Item 8) and then screw or unscrew the screw (fig. 8, item 7) with the hexagon wrench until the correct guide of the outer guide on the slider of the slat.
- After finishing the setting, tighten the screw (fig. 8, item 5) and the "counter" nut (Fig. 8, poz. 8). Tighten the "counter" of the nut with a fork key at the same time preventing the screw unwinding (figure 8, item 7) using the "hexagonal" wrench.



- After adjusting the gap, check that the cutting line can be started by hand. If this is not possible, re-adjust the guides. Excessively tightened guides in your work will cause overheating and rapid damage to the workpiece. Incorrectly adjusted guides do not provide proper cutting which causes mowing problems.

Sharpening and replacing the blades on the movable cutting strip

After prolonged use, the cutting edges on the knives come to grips and, therefore, the quality of the mowing decreases.

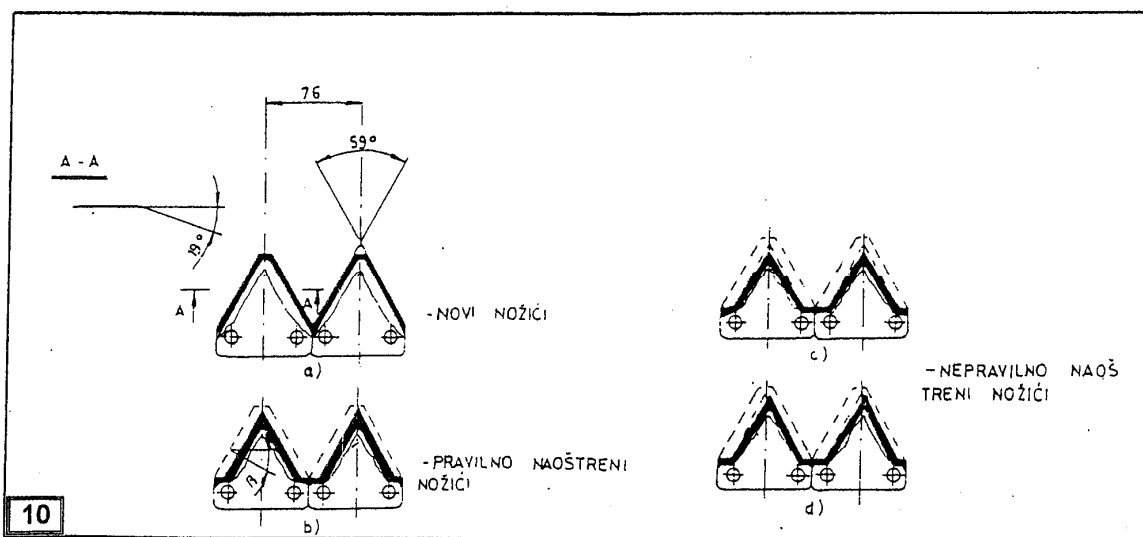
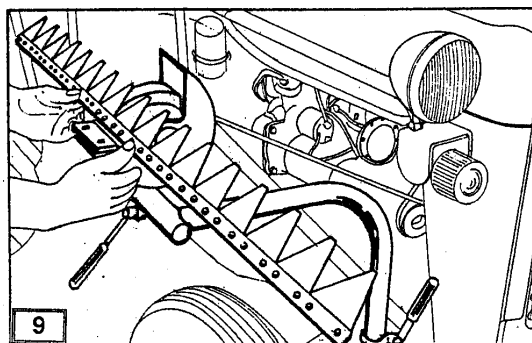
The blades are sharpened from the top and can be sharpened as long as the hardened zone on the blades lasts (see Figure 10). After sharpening, the corners on the knife must be the same as before sharpening.

If one of the pins is broken or is so blinded that it does not make sense to sharpen, it needs to be replaced. Replacing the blades is done by removing the head of the rivet from the hand grinder or file,

and then it breaks out. Instead of a worn-out knife, a new one is screwed up. Correct sharpening of cutting knives is achieved by specially profiled grinding stone - wheel. For this purpose, the most suitable is tractor sharpener which provides a very simple and quick mounting on the tractor. This sharpening is also possible on the field, which is a special benefit.

The bristle is also from the production program FPM Agromehanika AD Boljevac.

After completing the work, the mower should be cleaned of the remains of the grass and any residual soil, especially in the part of the cutting machine. Lubricate all parts that can be lubricated and then put in a sheltered space. All screws and nuts should be checked frequently if they are tight and tightened if necessary.



TECHNICAL CHARACTERISTICS

- Type and label	Rear tractor mower FPM 627 089
- Working grasp	2.10 m
- Mowing speed	4 - 8 km/h
- The required number of turns of the output shaft of the tractor	540 min ⁻¹
- Number of oscillations of the cutting deck	900 - 1100 min ⁻¹
- Performance	Up to 1.70 ha/h
- Required tractor power	25 KW and more

- Transport speed	20 km/h
- Cut height	3 – 9 cm
- Mower mass	185 kg

Storage of the rear tractor mower

- Storage preparations -

1. If you do not use the mower for a longer period of time, then all the parts that come in contact with the soil and the grass must be completely cleaned from the ground and grass.
2. After cleaning, wash the whole tool well.
3. Replace all damaged or broken blades or double fingers.
4. Tighten all nuts and bolts on the mower.
5. Clean rusted surfaces and bare spots and shade with protective paint.
6. Put the mower on a wooden base located under a canopy or in a separate room.



CAUTION:

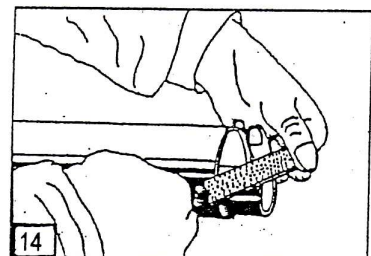
- 1. NEVER WEAR CLOTHES THAT CAN BE TRAPPED IN THE CARDAN SHAFT, OR ANY OTHER WINDING PARTS.**
- 2. DO NOT DRIVE OTHER PERSONS ON THE TRACTOR OR MOWER.**
- 3. AFTER EACH WORKING SEASON, WE RECCOMMEND THAT YOUR SERVICE FPM AGROMEHANIKA AD BOLJEVAC, CHECKS THE CONDITION OF THE MOWER, ESPECIALLY THE BLADE AND OTHER PARTS.**
- 4. ALWAYS COMPLY WITH THE INSTRUCTIONS IN THIS MANUAL.**

Jointed coupling - cardan shaft

It is very important that the cardan shaft be properly adjusted when attached to the tractor. In no way should the cardan joints, when the tool is raised to the highest or lowest position, shut down each other.

If you believe that the cardan shaft is longer and cannot be connected to the tractor, it is necessary to cut it. The following illustrations show an example of shortening the cardan shaft.

- 4.— Knock down the sharp edges, figure 14.

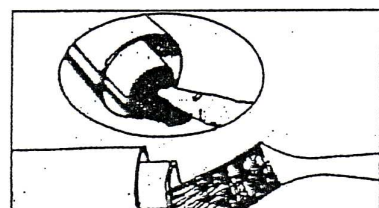


Clean and lubricate, figure 15.

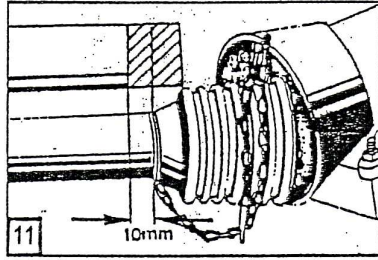
- 5.— Connect one cardan to the other and it's done

- 1.—

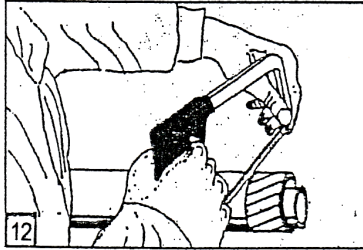
Attach one half of the cardan shaft to the tractor and to the mower, hold the halves next



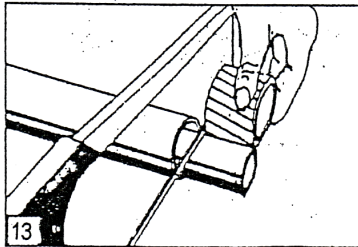
to each other, and set the length of 10 mm with a different tractor and mowing settings an



2.— Cut the protective cover, see Figure 12.



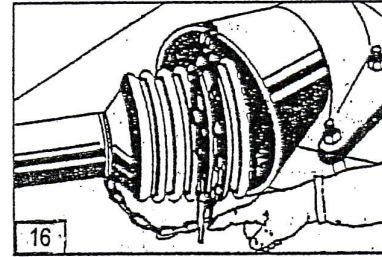
3.— Cut the profile tube, figure 13. Further repairs to the coating or profile tube are not permitted.



NOTE: FAILURE TO COMPLY WITH BASIC REQUIREMENTS FOR THE WORK WITH THE CARDAN SHAFT MAY RESULT IN CARDAN DAMAGE OR DAMAGE TO THE MOWER.

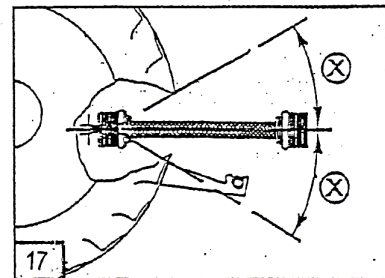
6.—

The coating of the cardan should in no case be allowed to be removed, not even to turn during work. Attach the chainsaw tray for the



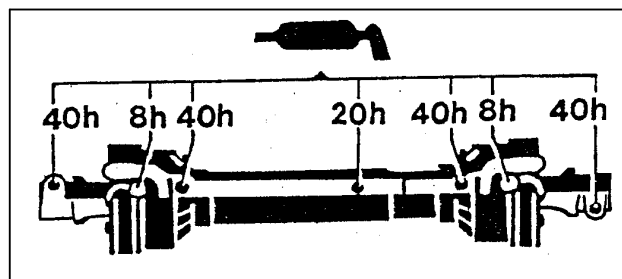
7.—

The maximum permitted angle of the cardan shaft must be less than 30°, figure 17.



CAUTION: WHEN HANDLING CARDAN SHAFT OF THE REAR MOWER, ALWAYS BE CAREFUL.

LUBRICATION Check the lubricity of the place with built-in lubricants and other sliding surfaces. A good degree of lubrication is achieved every eight hours of operation. Before you make the lubrication clean surfaces from earth and dust. Every fifty hours lubricate the turning and swiveling parts. Lubricate all parts moving one in the other (telescoping) as needed.





IMT AGROMECHANIKA AD
Đorđa Simeonovića 25, 19370 Boljevac-Sibija
www.imt-boljevac.co.yu

IZJAVA O USAGLAŠENOSTI 98/37/CE

Ovim izjavljujemo, u okviru naše odgovornosti, da je proizvod

Tip: Traktorske kosačice sa duplim prstima

Model: IMT 627 089 - radni zahvat 2,0 m

Godina proizvodnje: 2008

u saglasnosti sa bezbednosnim zahtevima utvrđenim od strane Evropske Direktive 98/37/CE.

Proizvod je u saglasnosti sa sledećim standardima:

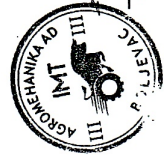
1. The mask on the front joint.
 Every 8 hours
2. The reverse part of the liner on the front of the cardan.
 Every 40 hours
3. The internal telescopic part of the tube
 Every 20 hours
4. The reverse part of the cover at the rear of the cardan
 Every 40 hours
5. The back swing mask
 Every 8 hours
6. The front axle and the rear part
 Every 40 hours
7. Clean all parts of the shaft when it has been out of use for a long time

If you act on this lubrication plan, you will achieve a longer life of the shaft. Clever maintenance keeps you from failures that can arise from heating the bearing, damage to the bearing or increasing the axial force. Lubricate the cardan shaft at marked points, only with high quality lubricant.

LUBRICATE ALL THE TURNING, SLIDING AND JOINT CONNECTIONS ON THE

OPIS	STANDARD
Bezbednost mašina - Osnovni pojmovi, opšti principi za konstruisanje - Deo 1: Osnovna terminologija i metodologija	EN 292-1:1996
Bezbednost mašina - Osnovni pojmovi, opšti principi za konstruisanje - Deo 2: Tehnički principi i specifikacije	EN 292-2:
Bezbednost mašina - Bezbednosne granice koje definišu zone opasnosti kod mašina	EN 294:1995
Pojiprivredna mehanizacija. Poljoprivredne samohodne, samohodne mašine sa vozačem i vučene mašine – zajednički sigurnosni zahtevi.	EN 1553 : 1999

U Boljevcu,
23.04.2008.



Potpis odgovorne osobe:
Branislav Rajić, mašing

DECLARATION OF CONFORMITY 98/37/CE

We hereby declare, within our responsibility, that the product

Type: Tractor mower with double blades

Model: IMT 627 089 – work grasp 2.0 m

Year of manufacture: 2008

is in accordance with the safety requirements established by European Directive 98/37 / CE.

The product is in compliance with the following standards:

DESCRIPTION	STANDARD
Safety of machinery - Basic concepts, general principles for construction - Part 1: Basic terminology and methodology	EN 292-1:1996
Safety of machinery - Basic concepts, general principles for construction - Part 2: Technical principles and specifications	EN 292-2:
Safety of machinery - Safety limits that define hazard zones in machines	EN 294:1995
Agricultural self-propelled machines with driver and towed machines - common safety requirements	EN 1553: 1999

In Boljevac,

04.2008

Authorised person signature:
Branislav Rajić, mech.eng.

Obrazac: 1.

Broj: 741
05.2008.

OPREZ

ŠTITE NA RADU

na prstima

na prstima:
osjeenje svih vrsta trava.

brzina u radu 4 - 8 km/h, broj oscilacija rezne
glave do 1,25 ha/h, potrebna snaga traktora

zaštita i bezbedan rad, servisna knjižica i

ma uputstvu za rukovanje i održavanje.
ili životinje.



CERTIFICATE

**OCCUPATIONAL SAFETY MEASURES WERE
APPLIED**

On: tractor mower with double blades

Type, series and purpose: rear carried: IMT 804 162 for mowing all types of grass.

Year of manuf.: 1998

Technical data: Working grasp 1.2m, movement speed 4-8 km/h, number of cutting lath oscillations 900/1300 min⁻¹, productivity 1 ha/h, tractor power needed 18 KW and more, weight 140 daN.

Working grasp 1.6m, movement speed 4-8 km/h, number of cutting lath oscillations 900/1300 min⁻¹, productivity 1.25 ha/h, tractor power needed 18 KW and more, weight 150 daN.

Supplied documentation: Instructions for handling, maintenance and safe operation and warranty card.

NOTE: Use the machine according to the instructions for handling and maintenance.

Authorised person

LIST OF SPARE PARTS
- Handling and maintenance instructions -

- For ordering spare parts or components contact the sales department - spare parts.
- Optional equipment or accessories, whose identification number starts with 1, as well as instructions for installation and use, must be ordered from the department of machine sales.

Existing images in the following sheets show machine parts that are numbered.

The text next to the picture states: the serial number of the machine part, its identification number, the quantity within the mower and, if necessary, the dimensions, the standard or the required tightening moment.

Pay attention to additional tags on the sheets.

In order to avoid misunderstandings and wrong delivery when ordering spare parts, be sure to indicate:

- mark and number of the mower (series, №)
- number and name of spare part (to be found in this list)
- quantity of required spare parts
- the desired delivery method (mail, express, etc.)
- full address of the contracting authority (with postal code)



On your mower on the tile shown in the picture, the series and the factory number are printed. Guarantees and other issues can not be solved without the serial and factory numbers.

Please provide these numbers immediately after the delivery of the machine here in the original.



APPROVED SYMBOLS FOR ABBREVIATED MARKING

DNO	Additional optional equipment
:	for
< >	except
>	from to ...
Zam	replaces
∅	diameter
> <	Strength (thickness)
T1N	For vineyard tractors
T1	For tractors cat. 1

Q	Number of pieces (quantity) needed
*	See the note
	Movement direction
	Turning direction
	Package of parts & components
ZA	Replaced by one or multiple parts

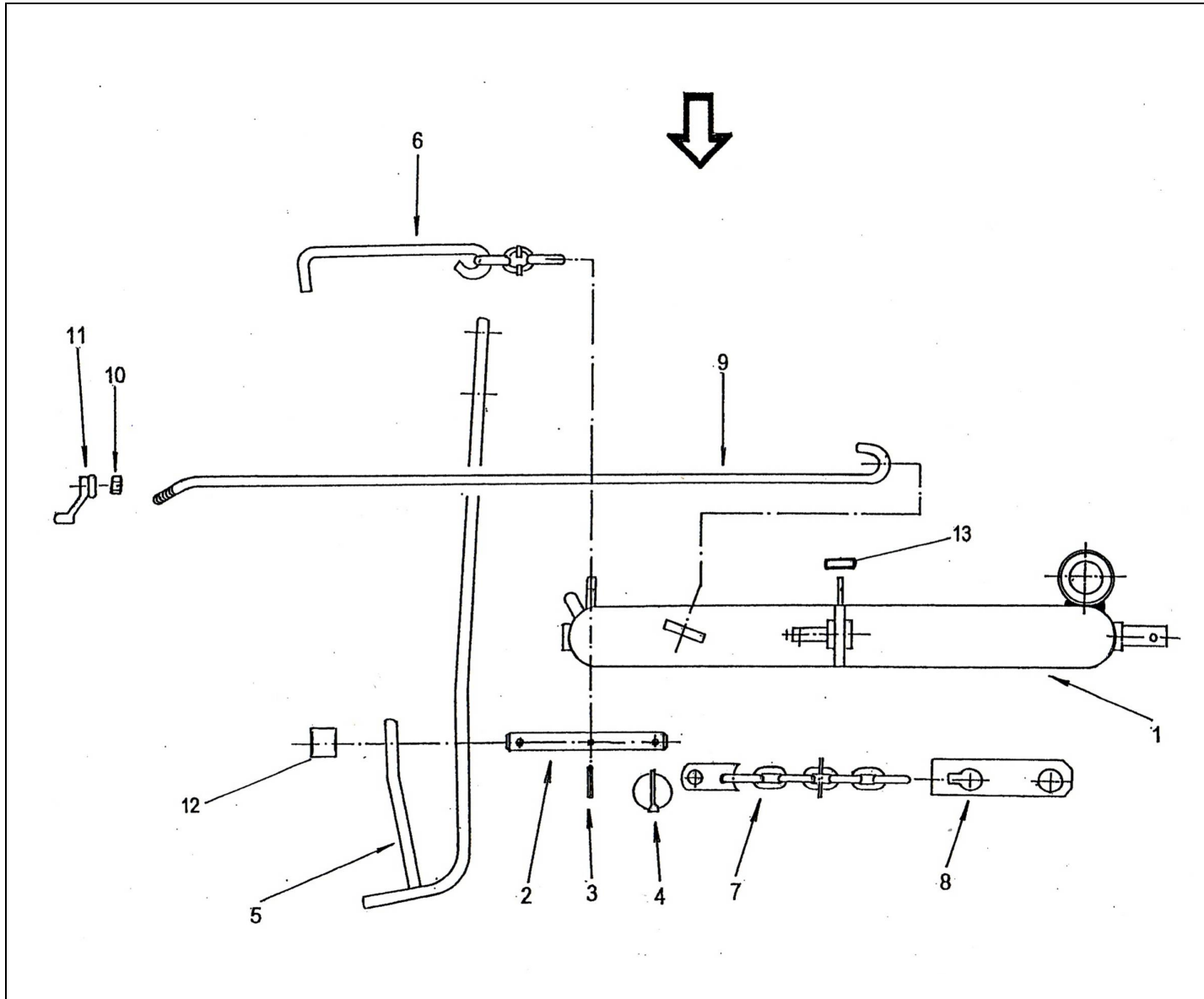
T2	For tractors cat. 2
T3	For tractors cat. 3

D.P	Pad thickness
DPS	Pad thickness to reduce gap

FPM AGROMEHANIKA AD BOLJEVAC

BEARING FRAME

strana 21

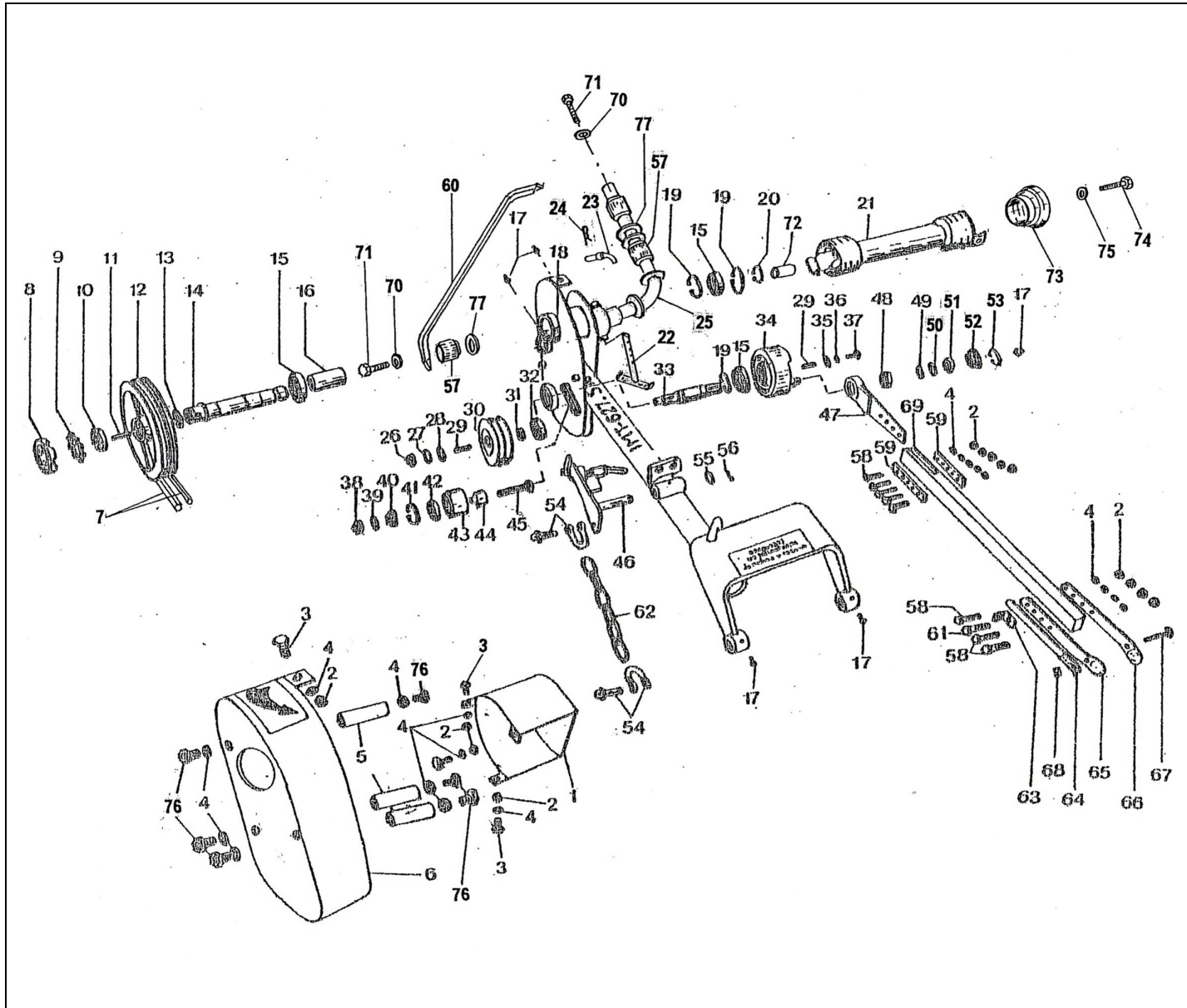


IDENTIFICATION NUMBER FOR ORDERING

1	627 13 015	1	
2	627 13 022	1	
3	000 05 464	1	Ø6x40
4	611 20 010	1	
5	627 13 019	1	
6	627 13 050	1	
7	804 91 598	1	
8	627 12 838	1	
9	627 13 075	1	
10	000 05 340	1	M14
11	627 13 258	1	
12	627 10 108	1	
13	627 10 251	1	

POWER MECHANISM

strana 22

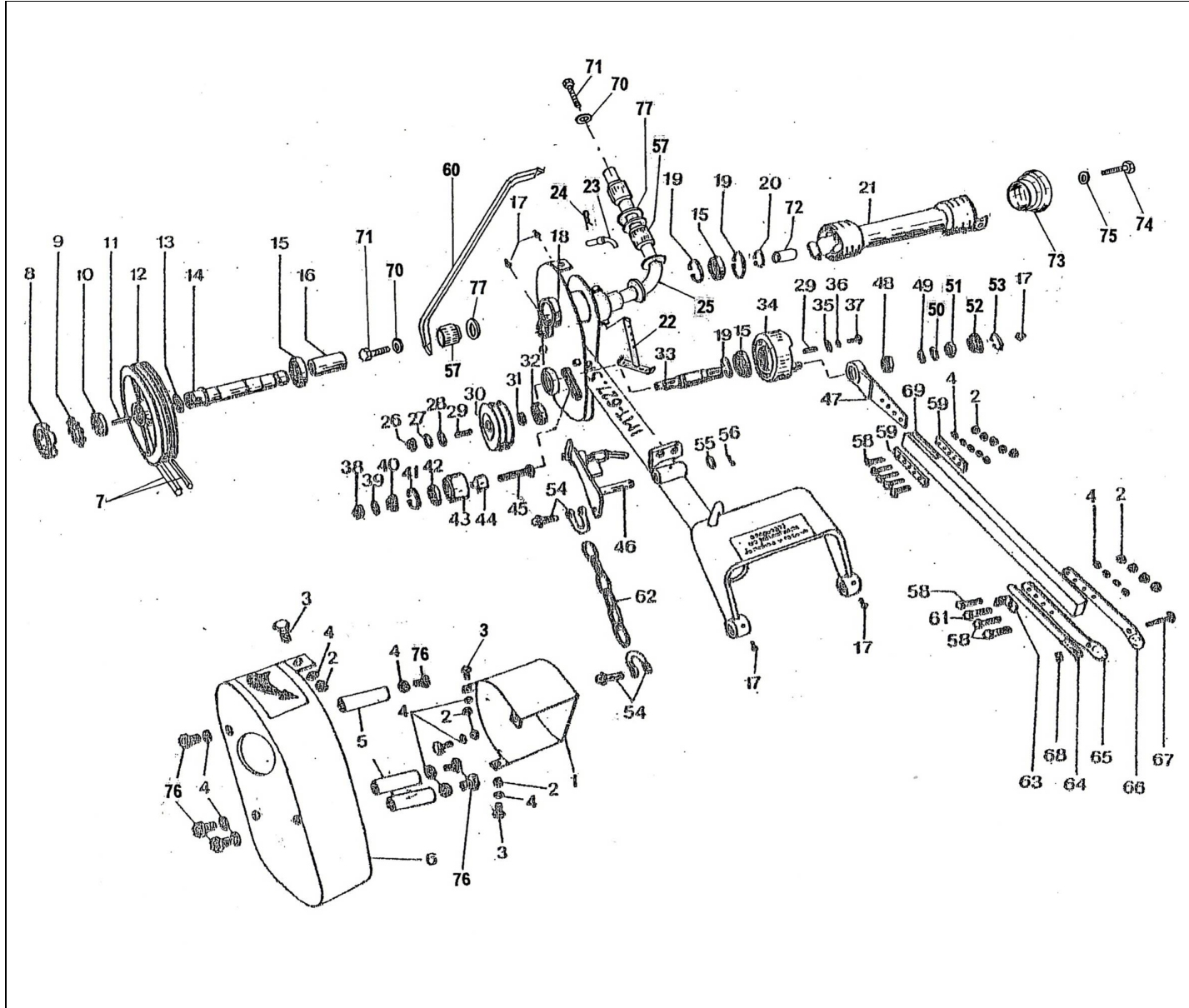


IDENTIFICATION NUMBER FOR ORDERING

1	627 15 268	1	
2	000 00 060	13	M8
3	000 09 985	4	M8x20
4	000 00 070	19	8
5	627 12 042	3	
6	627 10 938	1	
7	627 12 043	2	
8	000 05 337	1	M40x1,5
9	000 05 326	1	40
10	627 10 984	1	
11	000 05 738	1	A12x8x40
12	627 10 982	1	
13	810 01 512	pp	
14	627 10 576	1	
15	000 05 370	3	6207 Z
16	627 10 536	1	
17	000 02 392	5	AM6
18	627 15 267	1	
19	000 04 233	3	72
20	000 00 088	1	35
21	627 10 998	1	
22	627 12 049	1	
23	627 12 682	1	
24	805 40 784	1	
25	627 13 018	1	
26	000 00 064	1	M20
27	000 05 442	1	20
28	000 02 515	1	20
29	000 04 653	2	A8x7x40
30	627 10 802	1	
31	850 00 103	pp	
32	000 08 212	1	6206 Z
33	627 10 978	1	
34	627 10 988	1	
35	627 12 041	1	
36	000 04 634	1	12
37	000 05 324	1	M12x25
38	000 00 062	1	M12

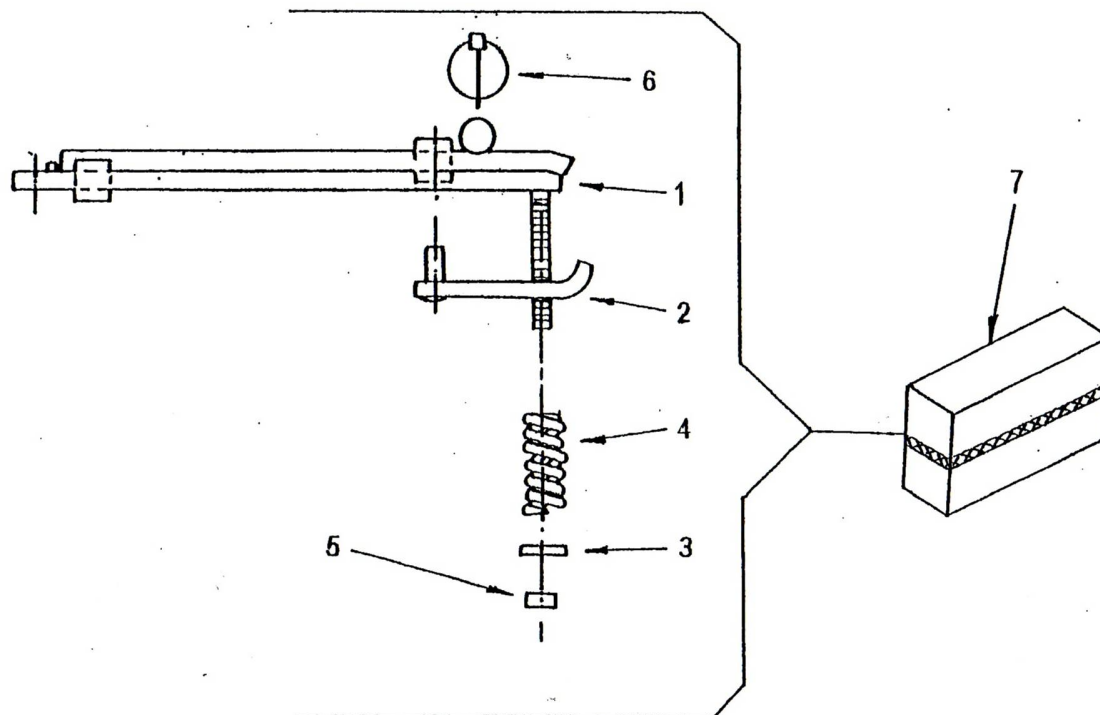
POWER MECHANISM

strana 23



IDENTIFICATION NUMBER FOR ORDERING			
39	000 00 066	1	12
40	627 10 191	1	
41	000 03 049	1	
42	000 09 667	1	6204-2Z
43	627 10 189	1	
44	627 10 977	1	
45	000 08 211	1	M12x80
46	627 10 945	1	
47	627 15 128	1	
48	000 07 521	1	6304
49	000 00 068	1	16
50	000 07 903	1	16
51	000 13 389	1	M16x1,5
52	627 15 125	1	
53	000 00 738	1	52
54	627 13 336	3	
55	627 12 071	1	
56	000 05 342	1	5x40
57	627 13 034	8	
58	000 05 424	8	M8x50
59	627 10 062	2	
60	627 13 016	1	
61	000 04 655	1	M8x55
62	627 10 928	1	
63	627 10 067	1	
64	627 10 170	1	
65	627 10 064	1	
66	627 10 063	1	
67	000 07 910	1	M10x75
68	627 10 170	1	
69	627 10 989	1	
70	000 00 066	2	12
71	000 02 977	2	M12x50
72	627 15 130	1	
73	627 12 681	1	
74	000 00 069	4	6
75	000 00 054	4	M6x15
76	000 04 217	6	M8x25
77	627 13 033	6	

BALANCE LATH

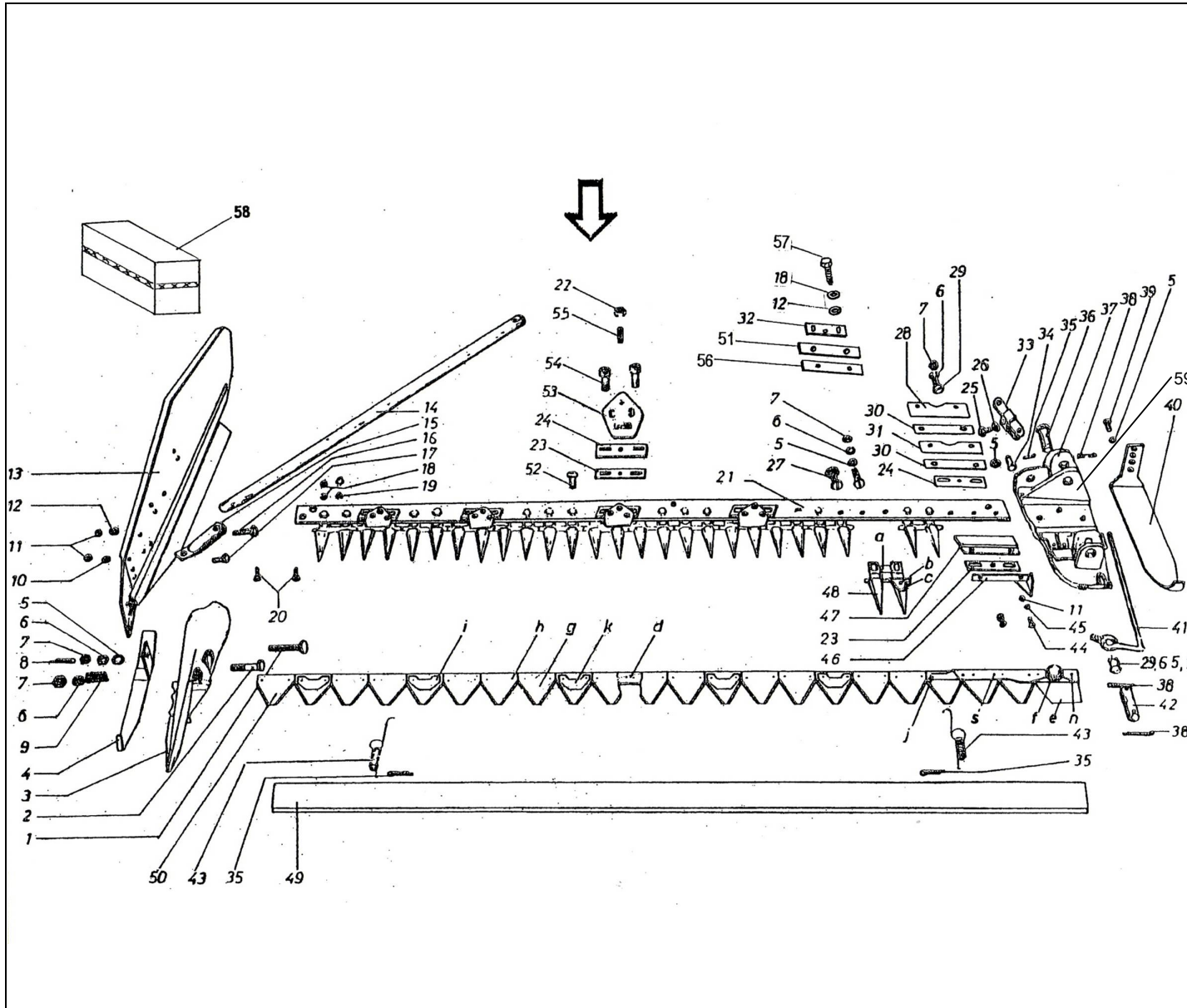


IDENTIFICATION NUMBER FOR ORDERING

1	627 13 065	1	
2	627 13 059	1	
3	627 12 011	1	
4	627 10 618	1	
5	000 00 063	1	M16
6	611 20 010	1	
7	627 13 053	1	1 > 6

CUTTING MACHINE

strana 25

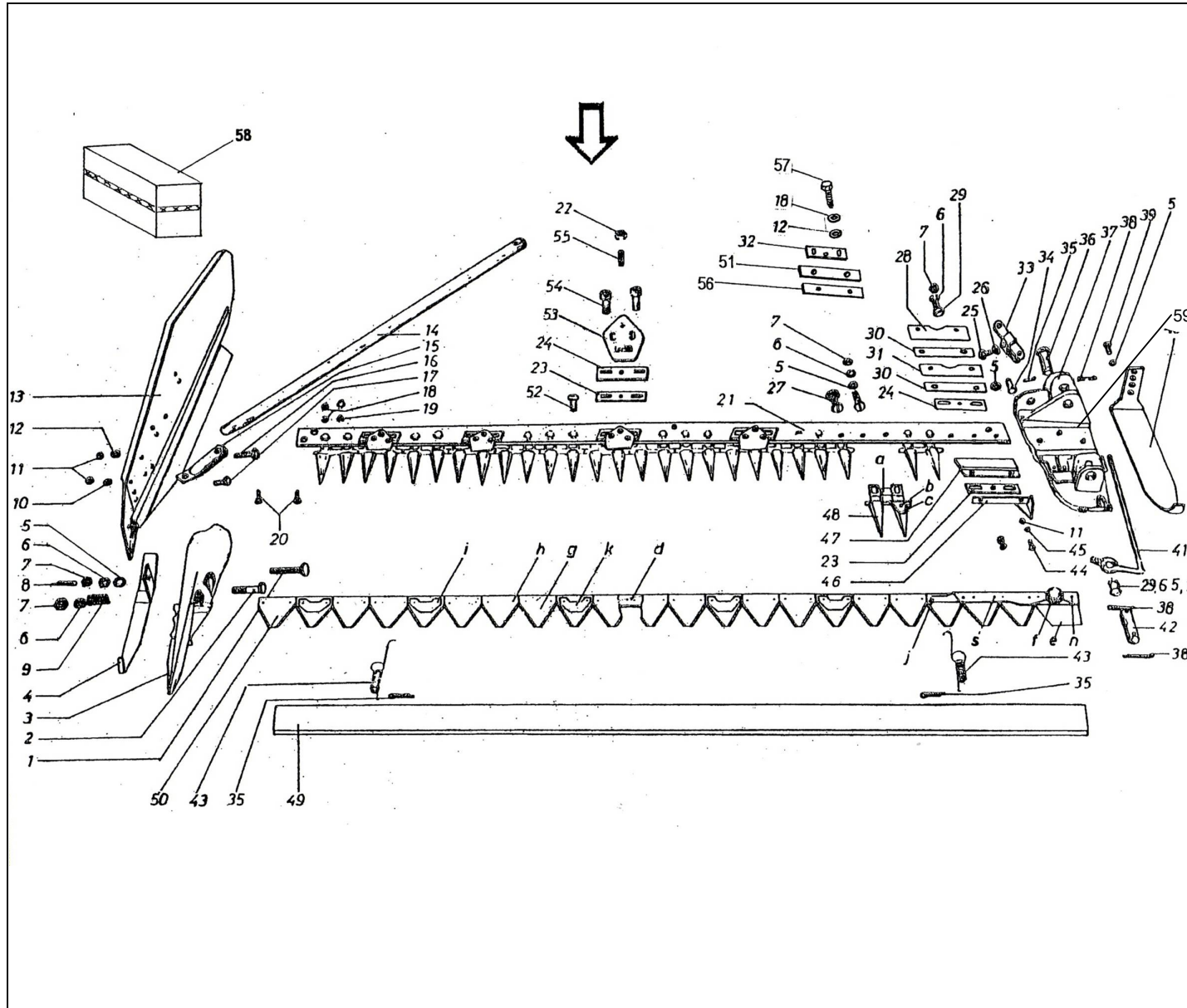


IDENTIFICATION NUMBER FOR ORDERING

1	627 10 708	1	
2	000 00 053	1	M12X35
3	850 42 110	1	
4	850 42 130	1	
5	000 00 072	7	12
6	000 11 223	6	12
7	000 00 062	7	M12
8	000 02 556	1	3,2x30
9	850 12 033	1	
10	000 11 224	1	8
11	000 00 080	4	M8
12	000 02 493	2	10
13	627 12 928	1	
14	627 10 121	1	
15	627 10 119	1	
16	000 05 501	1	M8x50
17	000 05 515	1	M8x30
18	000 00 071	4	10
19	000 00 061	2	M10
20	000 05 493	2	M10x38
21	627 15 552	1	
22	000 04 228	5	M10
23	850 42 011	pp	(10)
	850 42 012	pp	(10)
	850 42 013	pp	(10)
24	627 12 090	9	
25	000 05 512	1	M16x65
26	000 00 063	1	M16
27	000 08 117	5	M12x60
28	627 10 116	1	
29	000 08 119	2	M12x40
30	627 10 129	pp	(2)
	627 10 131	pp	(2)
31	627 10 706	1	
32	627 15 245	1	
33	627 10 967	1	
34	627 10 968	1	

CUTTING MACHINE

strana 26



IDENTIFICATION NUMBER FOR ORDERING

35	000 04 030	3	4x20
36	627 10 124	1	
37	627 15 701	1	
38	000 04 088	3	6,3x45
39	000 04 570	1	M12x30
40	627 10 132	1	
41	627 10 440	1	
42	627 10 125	1	
43	850 12 032	2	
44	000 08 118	2	M8x30
45	000 00 070	2	8
46	627 10 370	1	
47	627 10 704	1	
48	850 42 140	20	
a	850 42 141	15	
b	804 90 734	30	
c	000 04 765	30	5x25
49	627 15 890	1	
50	627 15 553	1	
d	627 15 554	1	
e	627 10 147	1	
f	627 10 144	1	
g	804 90 722	21	
h	000 04 800	24	5x15
i	000 04 801	12	5x16
j	000 08 126	1	5x18
k	804 90 711	6	
s	000 04 802	5	5x22
n	000 08 127	2	8x25
51	627 15 247	pp	(2)
	627 15 248	pp	(2)
52	000 02 947	21	M10x22
53	627 42 008	7	
54	000 04 979	17	M10x30
55	000 04 795	5	M10x20
56	627 15 246	1	
57	000 05 604	2	M10x45
58	100 38 954	1	1 > 57
59	627 15 711	1	



THE OPERATOR SHOULD COMPLY WITH THE SAFETY AND HEALTH PROTECTION REGULATIONS, AS WELL AS THE RULES ON ROAD TRAFFIC. IN THE OBJECTIVE OF YOUR OWN SECURITY USE THE ORIGINAL PRODUCTS PRODUCED BY FPM AGROMECHANIKA AD BOLJEVAC. THE MANUFACTURER IS NOT RESPONSIBLE FOR THE CONSEQUENCES OF INCIDENTAL USE OR NON-COMPLIANCE WITH RECOMMENDATIONS IN THIS MANUAL.



**FOR YOUR OWN SAFETY AND TO
OBTAIN THE BEST FROM YOUR
MOWER, USE ONLY ORIGINAL PARTS
PRODUCED BY FPM AGROMEHANIKA
AD BOLJEVAC**

FPM AGROMEHANIKA AD
19370 Boljevac, 25 Đorđa Simeonovića St.
TEL: Sales department: 030/63 455; 030/63 356
Service department: 030/63 619
Export-import department: +381 (0) 30 63 531
FAX: +381 (0) 30 63 777